

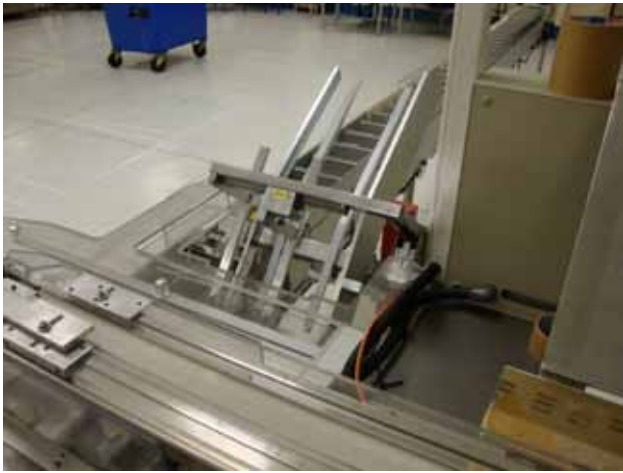


West Pharmaservices
Process and Packaging Machinery Engineers



IMA EASY INTERMITTENT CARTONER





IMA EASY INTERMITTENT CARTONER

IMA Easy Intermittent cartonning machine, one side tuck one side hot melt closure using a Nordson Pro Blue 4 hot melt glue applicator.

8200mm long x 220mm wide infeed bucket conveyor.

Stainless steel buckets adjustable up to 140mm wide.

Sturdy balcony construction

PLC Siemens

Year of Manufacture (2004)

TECHNICAL DATA

Max Speed 75 cycles/minute

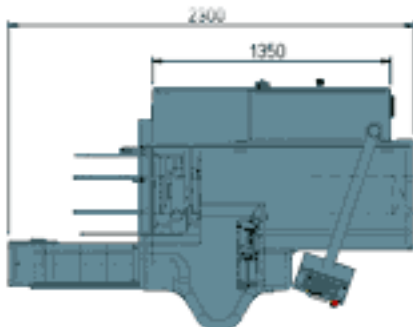
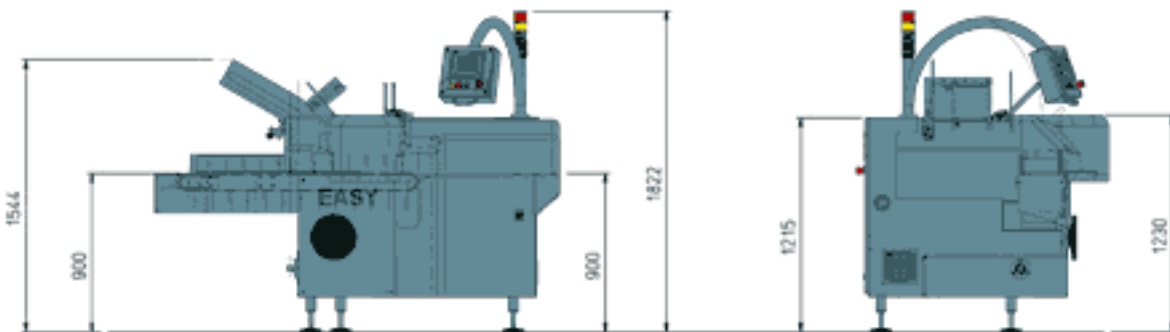
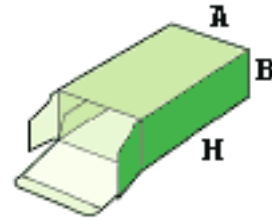
Carton dimensions

A 15-140

B 15-90

H 55-220

A+B 220



**STOCK NUMBER
WP451021**

Telephone: 01202 870890

www.westpharmaservices.co.uk